

# CMP14 - Crimping Tool

For Twin Cord End Terminals

**• Material:**

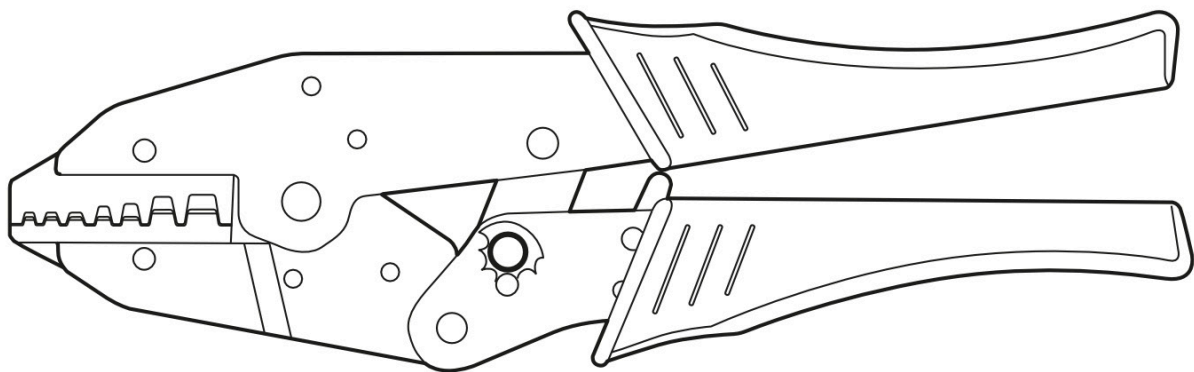
- Main body: S45C (HRC 43-47)
- Surface treatment: Electroplating
- Die material: SCM440 (HRC 41-52)
- Die surface: Black oxide
- Handles: Polypropylene

**• Colour:**

Red & Black

**• Features:**

- High strength through hardened steel
- Anti-slipping handles
- Pressure adjustable tensioner
- Replaceable jaws



Item No.	Terminal Type	Crimping Range (mm <sup>2</sup> )	Weight (kg)	L (mm)	Handle Colour
CMP14	Twin Cord End	2x0.5 - 2x6.0	0.6	230	Blue